



HARMONICS

1916

South Jersey Radio Association

2013



Joe at EI8EM QTH about 1988

Silent Key **Joe Duffin W2ORA/EI8GT**

It is with deep regret that I was informed by David, Joe's son, that the Old Radio Amateur passed away peacefully on Sunday 16th. June in his 88th year. He had not been well for some time but he fought a brave battle in the loving care of his wife Connie and family.

What started out as a casual contact turned out to be a very close friendship that has lasted for thirty years.

During this contact I mentioned that Breda (my XYL) and I were going to the USA on holidays the following week, Joe told me that he and his XYL Connie were coming to Ireland the following month on vacation. When we visited Joe's home QTH, which at that time was Haddonfield, we were warmly welcomed by both Joe and

Connie into their home and treated as family members.

This commenced a long friendship between both our families which has continued to the present time. Joe and Connie visited us in Ireland many times over the years while Breda and I spent many happy times in their home which had then become Mooooooooooooooorestown.

Joe was very proud of his Irish roots. His father was born in Ireland in 1862 and was the oldest of nine children. He arrived in Philadelphia in 1886 and got married to a lady from Ireland.

That marriage produced eight children. After his first wife passed away Joe's dad remarried. Joe was the only child from

that union. Joe was born in Philadelphia and grew up in Margate.

Joe was a life-time member of South Jersey Radio Association (SJRA) and held the office of President in the Association in 1965.

The South Jersey Radio Association was founded in June 1916 at the home of William G. Phillips on Washington Avenue in Collingswood. The club has been meeting continuously since its inception and has been affiliated with the American Radio

Relay League since 1920. SJRA is the oldest Radio Club in USA.

(Continued on page 4)

SOUTH JERSEY RADIO ASSOCIATION

HARMONICS is published monthly and is the official news letter of the South Jersey Radio Association. The SJRA was established on June 16, 1916 and has been meeting continuously since its inception. The club has been affiliated with the American Radio Relay League since 1920.

The SJRA meets each month on the fourth Wednesday, January through September; and usually the third Wednesday, October, November and December; in one of the Meeting Room of the Gibson House at 525 East Main Street, Marlton, NJ 08053. Visitors are always welcome at our general meetings. **“Our Meetings are Smoke Free”**

SJRA operates the K2AA Repeater (145.290 - PL 91.5) located in Medford, NJ and the K2AA DX Cluster (145.770) located in Mt. Laurel, NJ. The repeater and DX Cluster are open for use without restriction to all licensed amateur operators. The DX Cluster is also accessible on line (see www.sjra.org for information).

There are currently over 150 SJRA members active in most all aspects of amateur radio. Membership is by application and is subject to the approval of the Board of Directors. Club dues are currently \$30/yr. for memberships, \$22.50/yr for retired-person membership (62 plus 1 yr membership), and \$15/yr. for additional family members and student membership. Membership information is available on the K2AA Repeater or from Mary Von Lintig, KV2M, 856-772-6475

EMAIL: [sjra at sjra dot org](mailto:sjra@sjra.org) SJRA's web page www.sjra.org
 Mark O'Brien, K2AX, is the SJRA/ARRL VUCC card checker
 Joe Fisher, KC2TN, is the SJRA/ARRL WAS card checker

 ★ **Harmonics** is now available on the WEB in pdf format at: ★
 ★ <http://www.sjra.org> ★
 ★ **South Jersey ARRL Section News** is available on the WEB at: ★
 ★ <http://www.arrl.org/sections/?sect=SNJ> ★

Officers

President: Ken Botterbrodt, K2WB
Vice Pres.: Jon Mac Millan, W2MC
Treasurer: Ray Golley, N3RG
Rec. Sec: Lou Priestley, N2HQL
Cor. .Sec: Dennis Cioffi, AC2FO

Directors:

Kathy Edwards, KM2KME
 Rich VonLintig, KV2R
 Debbie Pullaro, W9QWN
 Ira Weinstein, W2IRA
 Mary VonLintig, KV2M
 Jim Vecchiola, KR2T
 Al Witner, N3AVT

Committees:

Historian: Mary VonLintig, KV2M
Membership: Mary VonLintig, KV2M
Field Day: Ken Botterbrodt, K2WB
Contests: Jon Mac Millan, W2MC
Repeater: Joe Fisher, KC2TN
Programs: Kathy Edwards, KM2KME
H&W: Kathy Edwards, KM2KME
Awards: Lou Priestley, N2HQL
Hospitality: Jean Priestley, KA2YKN
Nets: John Fogleboch, WY2J
Publicity: Debbie Pullaro, W9QWN
Picnic: Debbie Pullaro, W9QWN
Ways & Means: Ray Golley, N3RG
Property: Jon Mac Millan, W2MC

Harmonics Staff:

Publisher/Editor: Ted Groke, W2TAG
 or Don Beaulieu, WA2DUE
Circulation: Mary VonLintig, KV2M;
 Jim Vecchiola, KR2T

LOCAL WEEKLY NETS

Monday	K2AA, Medford	145.290 @ 8PM
Thursday	Various Locations	28.405 @ 8PM

Harmonics Deadline

Articles submitted for the next HARMONICS will be accepted until Monday, August 12, 2013. Email: [ted.w2tag at gmail dot com](mailto:ted.w2tag@gmail.com)

SWAP SHOP - For Sale/Wanted ads are free of charge and are accepted for Amateur Radio related items only. While ads are not restricted to SJRA members, there is only limited space available and members have priority for listings. No items will be accepted for inclusion in the Swap Shop from commercial vendors or traders. All ads must be submitted at least three weeks prior to the scheduled SJRA general meeting date.

GENERAL ADVERTISING - Limited commercial advertising is accepted on a space available basis. Annual advertising rates range from \$25/yr (Min 1/8 page) to \$200/yr (Full Page). Information is available from Ken Botterbrodt, K2WB.

Meeting Minutes

Minutes of the General Meeting of June 26, 2013

The meeting was opened at 1933 by Ken, K2WB, at the Gibson House in Eve-sham, NJ. We saluted the American Flag, and had a quick introduction of visitors/ guests and new members.

Minutes of the May meeting were approved as printed on a motion by N2HQL/WA2DUE.

New Members were presented by Mary, KV2M. They were: Don, KD2EBY; Mike, KC2UUG; Don, KD3EHE; Charles, KD2EHD; Gary KD2EBX; Skip, N2EI

Mary presented a copy of a 1969 QSL as historian.

Kathy, KM2KME- Programs: June-FD presentation, July Robert, AA3RR of Pasadena, MD to present the Laurel VEC program.

Health & Welfare by Kathy, KM2KME- Many silent keys this month-Gordo, N2YU, and Joe, W2ORA. Ray Golley, N3RG, also lost his mother. A moment of silence was held.

VE report: 6 tested, 5 passed, many joined SJRA (check the call signs of new members).

Nets by WY2J- repeaters ok, need 10M net control.

DX by Jack, N2VW: South Korea, 6 meters June 22-July 31: Malta 9H3RJ (KK4OYJ) 28 Jun-Aug 1: Marians Isl., AH0KT 3-7 Oct: Taiwan, 27-28 July BP0A: Greenland OX3LX 20 July- 1 Aug : Gitmo KG4RX 29 June-9 July. Don't forget NJ QSO party 27-28 July.

Repeaters- Joe, KC2TN- still repeating- The .865 repeater was off the air for a few days due to late renewal of license. He also is still taking orders for club stuff.

The meeting was Closed at this point and turned over to Don, WA2DUE, who introduced and swore in the new officers for 2013-2015. Thanks was given to Ted, W2TAG, for his service as Corresponding Secretary. He will continue to serve as Editor/Publisher of Harmonics.

A recess was called for refreshments. The annual field day presentation was made. At the end of the DVD, band captains were introduced and thanked for their fine work. Special mention was made about safety

The July Board of Directors Meeting was canceled because of the Independence Day holiday.

 <p style="text-align: center;">The Burlington County Radio Club is pleased to announce its sponsorship of the New Jersey QSO Party.</p> <p style="text-align: center;">July 27th and 28th 2013</p>	<p style="text-align: center;">Join us for the fun.</p> <p style="text-align: center;">See: http://www.k2td-bcrc.org/njqp/ for all the details.</p> <p style="text-align: center;">Submit Cabrillo logs to njqp@comcast.net</p>
--	--

(W2ORA/EI8GT SK from page 1)

On one of his visits to Ireland, Joe enrolled as a member of Limerick Radio Club and obtained his Irish call-sign EI8GT.

He was delighted to be able to use his new call-sign on the Aran Islands during the International DX and WPX contests.

Arising through my friendship with Joe and the close harmony generated between SJRA and Ireland ,it was mutually agreed

in March 1989 to twin the Limerick Radio Club and SJRA. The "Twinning Proclamation" already signed by SJRA, was carried to Ireland by Joe and was formally signed by Limerick

Radio Club at a special club meeting. It is hoped in the future that this Twinning Proclamation will encourage other radio clubs to follow the path chartered by these two radio clubs and increase international radio friendship. What an Ambassador for Amateur Radio, Joe was one of the kindest, friendliest and helpful people you would ever have the luck to be friends with.

He was first licensed around 1940 and was issued with the call-sign W3SWL and later W2ORA.

He was one of the founding members of The Irish Hour, which still meets on Sundays at 17.00Z on 21.317 MHz .

He was a contester and was also a member of several DXpeditions most notably Navassa Island KP1 (rare DX now)

He was always helpful to any American coming to Ireland and any Irish person going to USA and was an unofficial ambassador for IRTS in the US, promoting membership of the society, activity in the WEIC award and the Irish Hour with the result that the Irish Radio Transmitters Society

made him an honorary member, an honour that has only been awarded to very few people.

With Joe's passing I have lost a very good friend of many years, a friend who will be sadly missed by me, all his friends in Limerick Radio Club, the Irish Radio Transmitters Society, the Irish Hour members and the many friends he made worldwide in Amateur Radio.

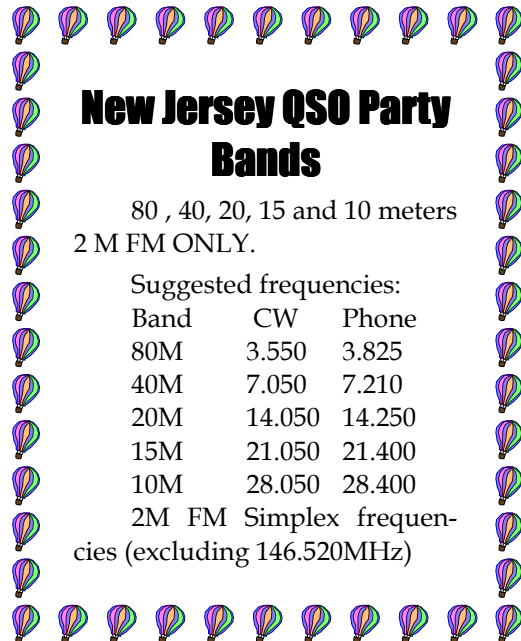
On behalf of all the members of Limerick Radio Club and on my own behalf, I would like to extend deepest sympathy to Connie, his 13 children and numerous grand-children on their very sad loss.

We have heard for the last time but will not forget the Old

Radio Amateur saying 73 and God Bless from Mooooooooooooooorestown.

Ar dheis De go raibh a anam dilis

Alan Cronin, EI8EM



**New Jersey QSO Party
Bands**

80 , 40, 20, 15 and 10 meters
2 M FM ONLY.

Suggested frequencies:

Band	CW	Phone
80M	3.550	3.825
40M	7.050	7.210
20M	14.050	14.250
15M	21.050	21.400
10M	28.050	28.400

2M FM Simplex frequencies (excluding 146.520MHz)

President's Message

Ken – K2WB

When I look at the membership I see a great group of people with common interest. Some call it "Ham Radio" and others call it "Amateur Radio". We come from many diverse backgrounds both professionally and ethically and yet we still hold true to our hobby and friends. This is the principal ingredient of the continued success of the SJRA.

Field Day 2013 is now a fond memory, much kudos to the band captains and members for their tireless efforts in keeping the club call sign of K2AA on the air for 24 hours. Field Day would not be field day without help. It takes a lot setup, operate and breakdown the equipment all for Field Day. As a club we did a great job. Congratulations to all. By this time everyone should be looking forward to Field Day 2014, it is already less than a year away.

With some of the activities, it reminds us to be safe while working on our antennas or equipment. Accidents come with no warning. Towers, antennas and equipment can be replaced easily, people and injuries are not so easily remedied.

As the heat of the summer continues, everyone should be mindful of the staying hydrated. The other bad side of the heat is severe weather. Some of our members are experiencing this and hopefully by the time Harmonics is published things will returned to normal.

Thank you for being a member of the South Jersey Radio Association, encourage others to do the same.

Monthly Puzzle

Don – WA2DUE, wa2due at arrl dot net

Reviewing last months puzzles:

If one number of a Pythagorean triplet is 16, select the other two numbers from the set: 66,65; 56,55; 75,74 and 65,63.

Solution- By subtracting each set of numbers squared to test for a quotient of 256 (16 squared) we find the last set (65,63) to be the correct answer.

If 200 Volt AC is applied to an inductor of 100 Ohms reactance in series with a 75 Ohm resistor, what amount of power is consumed across each element? Fred, W2EKB, has correctly pointed out that pure reactance does not consume power. The correct term for power across a reactive load is "apparent power."

Solution- First we find the impedance which is the square root of the sum of the squares of each element. Thus $Z = 125$ Ohms and the current is 200 Volts divided by 125 Ohms, which equals to 1.6 Amperes. The voltage across the resistor is 75 Ohms times 1.6 Amperes, which results in 120 Volts and across the inductor is 100 Ohms times 1.6 Amperes equals 160 Volts. The sum of these is 280 Volts, which is greater than the applied voltage the reason being is that they are 90 degrees out of phase. The power across each element is EI and in the case of the resistor we find it to be 307.2 Watts and the inductor to be 409.6 Watts.

Mary, KV2M, submitted the correct solution to the first puzzle and Fred, W2EKB, sent in a solution to the second puzzle. Thank you both.

(Continued on page 10)

HAM TECH

Vol 4 No. 7 by John - WY2J

wy2j at arrl dot net

Single & Multiband HF Wire Antennas

Part 3 of 4: Trap Dipoles

Introduction - For the past two months we have explored the basic wire dipole as we extended its length and found that the broadside maximum radiation of the half wave dipole starts to degrade above one wavelength, reached maximum broadside gain at 1.28 wavelengths and has sidelobes larger than the remaining broadside main lobe at 1.5 wavelengths. This applies to both the azimuth and elevation pattern. The feed impedance is all over the lot, real and reactive, ranging from roughly 50 to over 4000 ohms for wire antennas. We also found that the slightly degraded pattern and highly reactive feed impedance of the 1.28 wavelength Extended Double Zepp could be fixed by inserting capacitors at the correct position in series with the dipole elements. The capacitors modified the current distribution on the antenna elements. But operating an 80 meter half wave on 10 meters where it is about 4 wavelengths long yields a highly distorted pattern. In other words we have lost control of where our signal is going in space. In the 1950,s the first trap dipoles and tri-band beams began to appear. One of these multi-band trap dipoles that fixes some of the pattern and feed impedance problems and was first described by C. L. Buchanan W3DZZ in QST for March 1955 and is shown in Figure 1.

The Single Trap Pair Dipole - The W3DZZ antenna has two primary resonances, one at 40 meters and one at 80 meters. The parallel resonant trap circuits behaves like a very high resistance at 40 meters and effectively decouples the 22 foot ele-

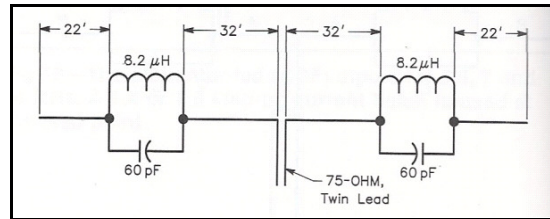


Figure 1 – The W3DZZ 80, 40, 20, 15 and 10 M Dipole

ment legs from the two 32 ft inner ones which is just a 40 meter half wave dipole. At frequencies less than 7 MHz the traps becomes inductive, energy is coupled from the inner dipole to the outer legs and the entire antenna becomes an inductively loaded half wave at 80 meters. The feed SWR on 40 meters will be below 2.0:1 across the 40 meter band and below 3.0:1 across either the CW or phone parts of 80 meters all referenced to the 75 ohm twin lead feeder commonly used in the 1950's. Above 40 meters the trap is capacitive and tends to electrically shorten the antenna. At 20 meters it is approximately 3/2 half waves and at 10 it is 5/2 half waves. At 3/2 and 5/2 half waves the feed impedance is reasonable and the SWR will usually be less than 3.0:1. Not bad for one set of traps. The patterns mainlobe will be broadside and well formed on 80 and 40 and slightly distorted on 20. Above that the antenna develops multiple lobes like any harmonic antenna.

Multiple Pairs of Traps - If you want to cover more bands but retain the excellent impedance match and half wave dipole patterns of the W3DZZ antenna on 80 and 40 meters, we can add more traps. As an example the author has designed and implemented an antenna with two pairs of traps

(Continued on page 7)

(Ham Tech from page 6)

to give this desired performance on 15, 20 and 40 meters. A photo of this antenna at my QTH is shown in Figure 2.



Figure 2 - 15, 20, and 40 M Trap Dipole at WY2J.

The background chimney mounted mast supports a 2 M Ground Plane and 440 J-Pole.

The two pairs of traps used in this antenna are resonant at 21.225 and 14.175 MHz. The 15 M trap isolates the center fed half wave dipole on 15 meters from the balance of the antenna when operating on 15 meters. On 20 meters the 15 meter trap is nearly a pure inductive reactance which along with the 15 meter dipole and the wire length between the two traps forms a resonant half wave dipole on 20 meters. The same process continues on 40 meters adding the inductance reactance of the 20 meter trap and the end section of wire to form a 40 meter half wave dipole.

The 15 meter dipole is full length or 22.6 feet, the 20 meter one is 31.1 feet or 94.2% and the 40 meter one is 53.7 feet or 84% of full size. This shortening gives a slight reduction in gain and a slightly narrower SWR bandwidth but the degradation is minor if the electrical Q of the traps is kept high, greater than 200. The WY2J antenna uses commercial traps manufactured by

Unadilla who does not publish the Q value. The author estimates they are between 200 and 300. The EZNEC simulation used a value of 200 but only gives a total loss, including ground loss for the antenna. Keep in mind that the trap loss is far greater for the two that are resonant at the transmit frequency. The loss of the other traps is very low due to being non-resonant. Thus multiple band trap antennas are practical.

A typical azimuth pattern is shown in Figure 3 for 15 meters; however, they are nearly identical on 20 and 40 meters as the antenna operates as a half wave dipole on each band. The SWR for 20 and 40 meters is shown in Figures 4 and 5 respectively. 15 meters is very similar.

The photo in Figure 2 shows two parallel wires in the center or 15 meter section of the antenna. The one wire is the 15 meter

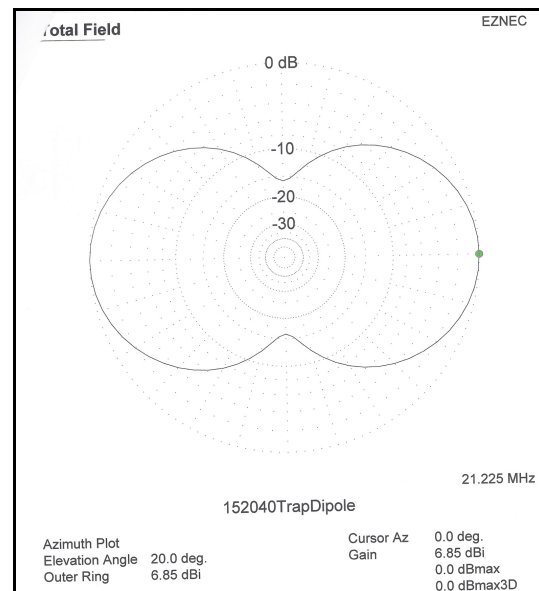


Figure 3 - Azimuth Pattern of the Trap Antenna

(Continued on page 10)

South Jersey Radio Association Closes the Last Leap Year in the Twentieth Century

Part 8

Time stands still for no man or woman. Like a gazelle, our radio club continues to leap over all obstacles and continue on its way to celebrate that big 100th Anniversary.

1996- Happy 80th Anniversary SJRA. 80th Anniversary pins were \$3.00 each. Our leaders to start off the last leap year in the century were: President- Bob Applegate, WA2ZZX, (that is a killer in CW) now K2UT; Vice President- Jean Priestley, KA2YKN; Treasurer- John Buzby, N2VPN; Recording Secretary- Frances Widmann, WA2NBE; and Corresponding Secretary- Ed Baud, N2YAJ. Directors: Mike Berezowski, WA2ABF; Ken Botterbrodt, WA2CVJ now K2WB, a man of many calls; Pat Doyle, KA2GSL; Bruce Eichmann, KE2OP now W2BE; Paul Hayden, KF2YX now KF2Y; Al Sherman, KE2VX. *Note: Amor Klotzbach, N2FY, had resigned from the Board leaving the seat vacant when he moved to South Carolina.*

When an SJRAer signed on any band he was requested to add /80 to his call.

The January meeting featured Black Holes by Joe Kaznica. Eighty people attended the January meeting. This large number was in part due to the cancellation of the December meeting due to snow and the awards were presented at the January meeting. Our monthly meetings were held at the Pennsauken High School and the room used to have a flag but after the room was painted the flag was no longer there. A small flag was used of the Pledge of Allegiance. At the January meeting Gordo, KB2HIB, now

N2YU (SK) presented SJRA with a family flag that was flown over the Capitol. This flag was also on the casket of a family member who served in WWI. Thanks Gordo.

Twenty-nine members participated in the January VHF Contest. The Club score was 65,880 points.

The ARRL added a new section - NNY. This was previously part of WNY. There are now 78 sections.

During February Rich Kloidt, KD2KS now N1RK, completed the Board of Directors. About 100 members and guests attended the February meeting. There was a presentation of awards for members who participated in last year's K2AA Special Events. Ken, WA2CVJ now K2WB, made the certificates. Thus began the *Ken Awards*.

As of March 1996 our membership total was 245, 229 of which were local. Here is the breakdown of membership according to age:

114 over 60 and 68 of that group over 70; 85 between 40 and 59; 36 under 40; 10 were ageless since no age was listed on their applications.

Here is another breakdown according to membership class: 141 full membership; 79 retired; 17 family; 4 students; 3 life members; 1 honorary.

The preliminary score for the March ARRL DX contest totaled over 200,000 points.

The K2AA repeater had to be shut down on several occasions in order to discourage a small group of users who abused the machine. One of the bogus calls was KB2KMG.

A sub-audible tone encoder for the repeater was purchased for \$35.00.

(Continued on page 9)

(Leap Year in 20th Century from page 8)

Our 80th Anniversary party was held on 15 June at Knights Park. The SJRA school demonstration was a big success.

The 1996 Field Day site was the Medford water tower. I remember one field Day at the Medford water tower. We were setting up and a violent thunder storm snuck up on us. We took refuge in the tower. All of a sudden - Boom! Lightening hit the water tower. That was really loud. No one was hurt but my ears rang for a while after that. We placed second in the 6A category with a total of 10,786 points. There was a problem with the 40 meter CW generator. It had been placed in the perfect position to get all the run off from the water tower when it rained.

John Fisher, W2PPO, was named *Citizen of the Year 1996* by the Clementon Lions Club.

The elections in June replaced Mike, WA2ABF; Bruce, KE2OP now W2BE; and Al, KE2VX, with Randy Wright, AA2HR; Ron Eichmann, K2HPT; and Jim Vecchiola, KR2T. *Note: Jim only joined SJRA in 1995 and already is doing time on the BOD.*

SJRA welcomed Ray Golley, N3RG, to the club. A wonderful addition.

Mark Kernagis, KA2MSM, and Frank Widmann, WA2YSW, helped to catch a bad guy, i.e., a drunken driver, by using the K2AA repeater. Mark was mobile and saw the problem and Frank relayed the information to the authorities.

Ken, WA2CVJ now K2WB, was confirmed as the new K2AA trustee.

Jean Priestley, KA2YKN, was named Section Manager for the ARRL Southern New Jersey Section.

Jim, KR2T had been 'volunteered' to set up a novice/technician amateur radio li-

cense class to begin 24 October at the Voorhees Middle School. Lou, N2HQL, and Jean, KA2YKN, obtained the site. *Note: Yours truly, KV2M graduated from Jim's class during February 1997 with a Tech Plus license - KC2AZU.*

Our meetings were moved to the Bloomfield Fire Hall in Pennsauken.

The Atlantic Division honored Bruce Eichmann, W2BE with its Distinguished Service Award.

The Big 100 is fast approaching. From what I have seen and read, we have huge shoes to fill. We can do it. Many of us have huge feet.

73 to all and I am History- Mary, KV2M

The SJRA would like to congratulate the following on their recent achievements at the test session on 07/10/2013.

Alan Koch
50 West Euclid Ave.
Haddonfield, NJ. 08033
Passed his Tech Exam.

Cameron Koch
50 West Euclid Ave.
Haddonfield, NJ. 08033
Passed his Tech Exam.

Charles E. Shearer
222 S. Azalea Ct.
Glen Mills, PA. 19342
Passed his Tech Exam.

Alfred Chai
325 Lincoln Ave
Mt Ephraim, NJ 08059.
Passed his Tech Exam.

Charles A. Wilkins Jr., KD2EHD
404 Bradford Rd.
Cherry Hill, NJ. 08034
Passed his General Exam.

(Continued on Page 11)

(Ham Tech from page 7)

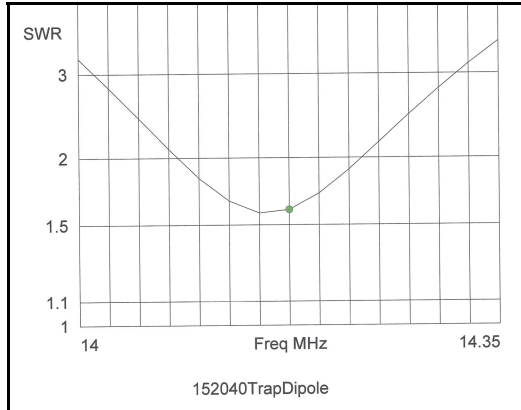


Figure 4—SWR for 20 meter Trap Dipole.

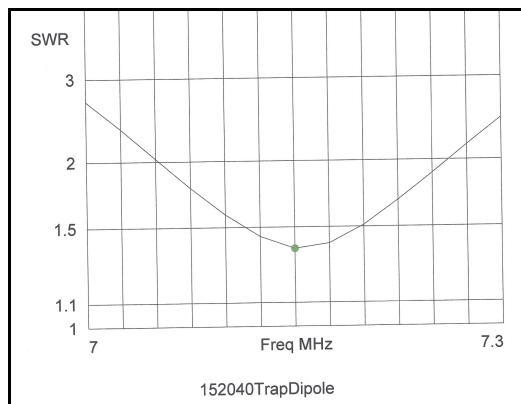


Figure 5—SWR for 40 meter Trap Dipole.

half wave center fed through a Unadilla W2DU current balun. The other wire is electrically isolated and resonant at 10 meters. It is a coupled resonator that provides a fourth resonance between 28.0 and 29.0 MHz and has the same pattern as the other three. The Coupled Resonator Antenna will be covered next month in the final part of this HAM TECH series.

(Monthly Puzzle from page 5)

For July let us consider the following puzzles:

There is a tuned circuit, consisting of a coil, a fixed capacitor and a variable capacitor. All these elements are in parallel. This circuit tunes from 1737 to 2005 kilo Hertz. The fixed capacitor is 200 Pico Farads and the variable capacitor ranges from 10 to 80 Pico Farads. What is the inductance of the coil?

The national debt is over 16 trillion dollars. If you were to receive one thousandth of one percent of this amount, how much money would you have?

Please submit solutions and/or comments to *wa2due at arrl dot net*.

(SJRA Congratulates from page 9)

David Staiman, KD2DVV
43 Mitchell Court, Marlton, NJ. 08053
Passed his General Exam.

Michael H. McDowell, KC2UUG
447 Manor Ave.
Millville, NJ. 08332
Passed his Extra Exam.

The year-to-date totals for passed exams at the SJRA-LARC test sessions are: Technician, 22; General, 3; and Extra, 1

**List Your "For Sale"
Ham Stuff in the SJRA
Harmonics**

Email Ted, W2TAG, with your listing, *ted.w2tag at gmail dot com*

SJRA Jackets, Shirts, Hats

Order NOW - Next order going in soon!



Spring Jacket is \$44 (S,M,L,XL), Fall Jacket is \$55 (S,M,L,XL),
Shirts are \$27 (S,M,L,XL), Hats are \$25 (one size fits all)
Name and Call Sign embroidery included....Larger sizes slightly more!
Email Joe, KC2TN, with orders or additional info:
kc2tn at comcast dot net

Amateur Radio FCC License Testing

The SJRA sponsors *FREE* Amateur Radio FCC License testing on the second Wednesday of each month. The location is: 443 Commerce Lane, Suite 5, West Berlin, NJ 08091. Registration is at 7:00 PM and testing begins at 7:30PM. Walk-ins are accepted.

VE team members can be reached at VE@SJRA.org. A calendar and more information can be found on the SJRA web site.

July Meeting
Fourth Wednesday

July 24, 2013

“Our Meetings are Smoke Free”

The meeting commences promptly at **7:30PM** in the first floor Meeting Room of the Gibson House on Main Street, Marlton, NJ 08053. Guests are always welcome.

Program For July:

Our Program for July will be Bob Rose, AA3RR, about VE Testing Teams.

July 2013 Health and Welfare:

Happy Birthday to the following: **(June)** 1- Bob Novelle, W2RWN; 20- Jon MacMillan, W2MC; 30- Jean Priestley, KA2YKN; and 30- Jim Edwards, KC2QCS. **(July)** 1- Wes Hughes, KC2WIB; 5-Michael Campbell, KC2VLP; 16- Craig Henning, KC2ZAQ; 17- Carol Hutkin, K2BL; 27- Larry Scher, KC2QCC; and 31- Don Beaulieu, WA2DUE.

We offer our sincerest condolences to: Bob Kernish, KD2ADL, who lost his wife Gail on June 6, 2013; the Duffin Family who lost their husband/father Joe Duffin, W2ORA; and Jack Imhof, N2VW, and his family for the loss of their daughter on July 10, 2013.

Kathy Edwards, KM2KME

First Class Mail

South Jersey Radio Association
 PO Box 1026
 Haddonfield, NJ 08033

