

MOD TO REMOVE AGC FROM FILTERS
SECONDARIES. (As in 51S-1)

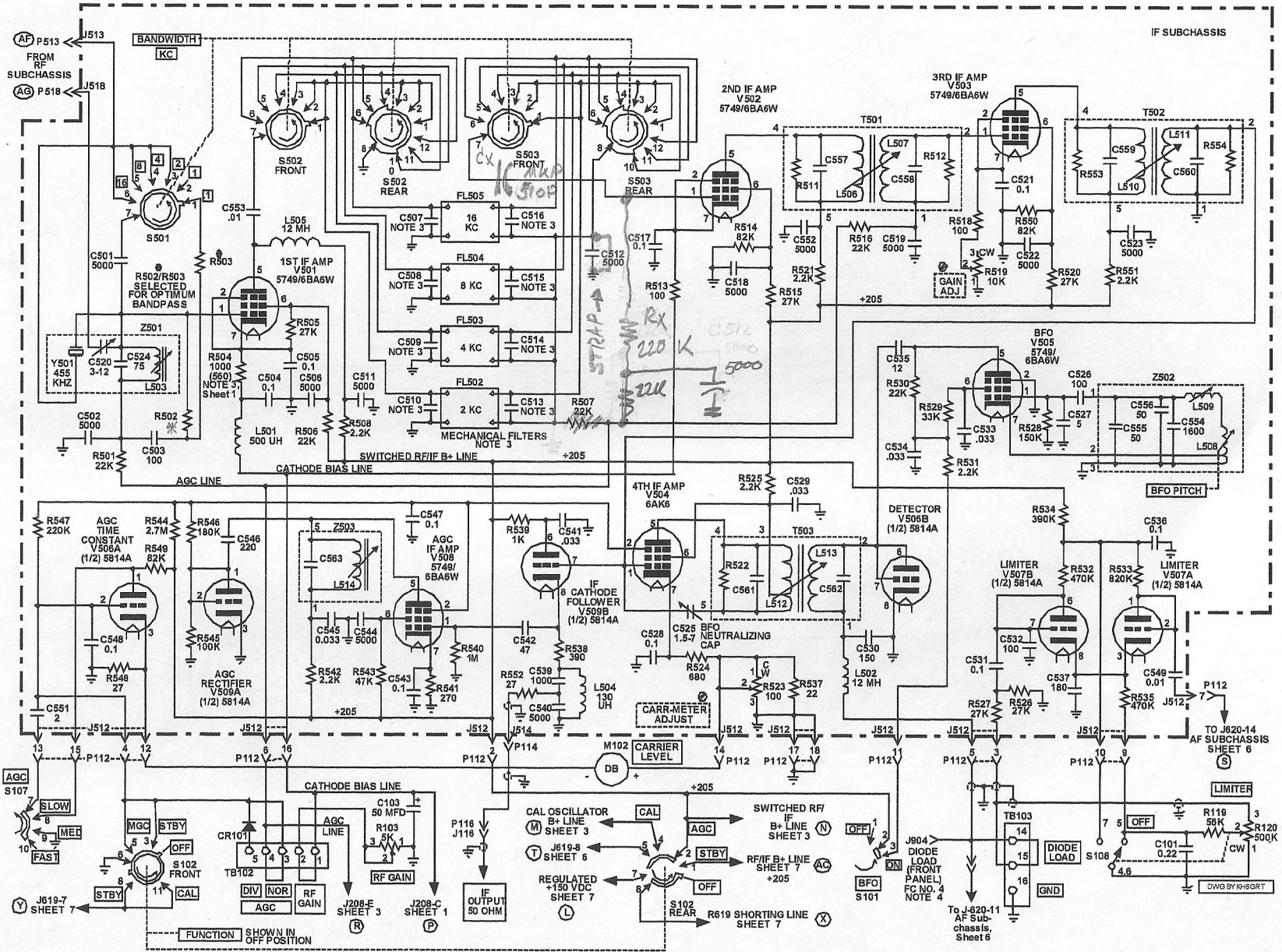


Figure 5-22 Schematic Diagram, Part 5 of 7 - IF Amplifiers, AGC, Limiter and Detector²³

²³ Courtesy of Pete Wokoun, KH6GRT

July 2009

Page 5-43

Chapter 5 Troubleshooting

The 21st Century R-390A/URR Reference Y2K-R3