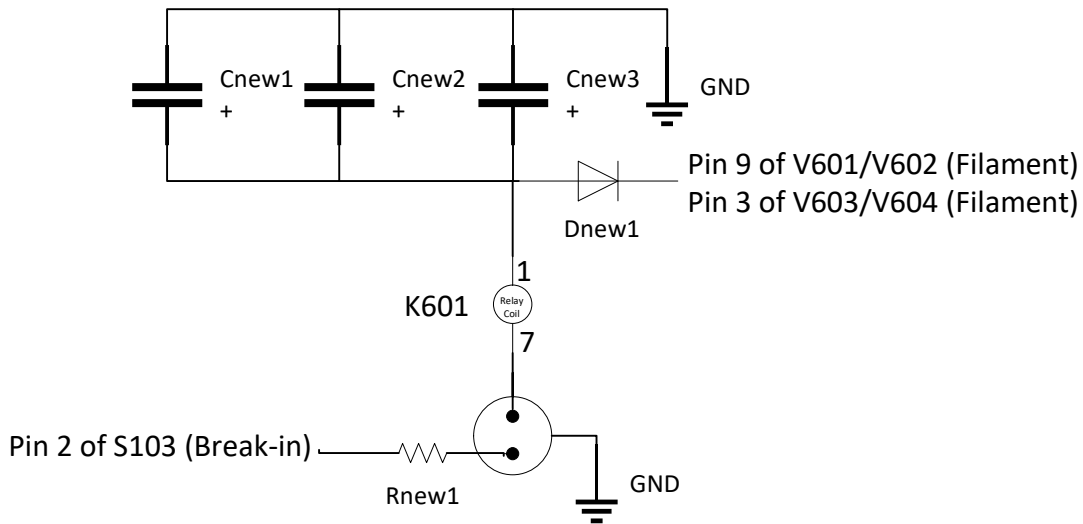


Schematic of modifications to R-390A Teledyne Systems Audio subchassis S/N



Cnew1 – Sprague 500 uF, 25VDC, Transi-lytic

Cnew2 – Sprague 500 uF, 25VDC, Transi-lytic

Cnew3 – Sprague 100 uF, 25VDC, Electrolytic

Dnew1 – Diode marked "170"

K601 – existing Break-in relay

Tnew1 – Motorola marked: "D or R \_\_ \_ 2" and "0 \_ 2"

Rnew1 – 150Ω 1/8 watt carbon composition resistor