



# TX-472 FOUNDATION

THIS DOCUMENT CONTAINS PROPRIETARY INFORMATION AND SHALL NOT BE USED OR REPRODUCED OR ITS CONTENTS DISCLOSED, IN WHOLE OR IN PART, WITHOUT THE PRIOR WRITTEN CONSENT OF US TOWER CORPORATION.

10

Foundation has been designed to accommodate the following loads:

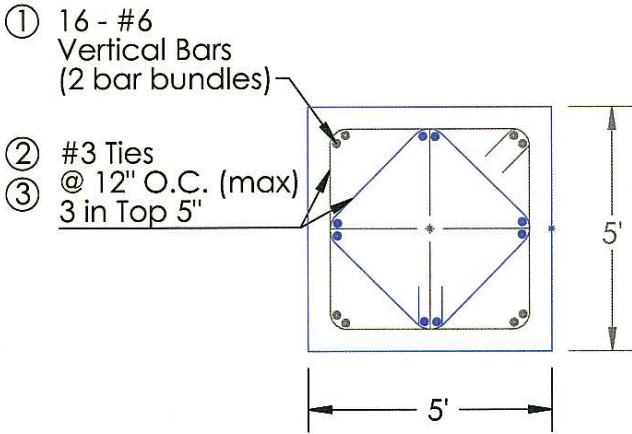
Overturning Moment = 56.1 ft - kips  
 Base Shear = 1.46 kips  
 Structure Weight = 4.12 kips

Soil and Concrete Design Parameters.

Allowable Foundation Pressure 1500 psf  
 (Increases based on depth)

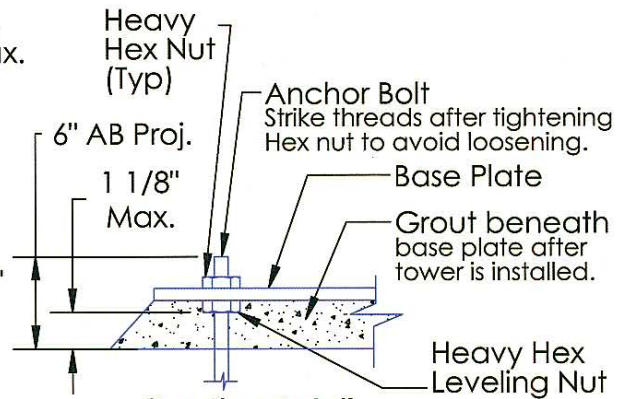
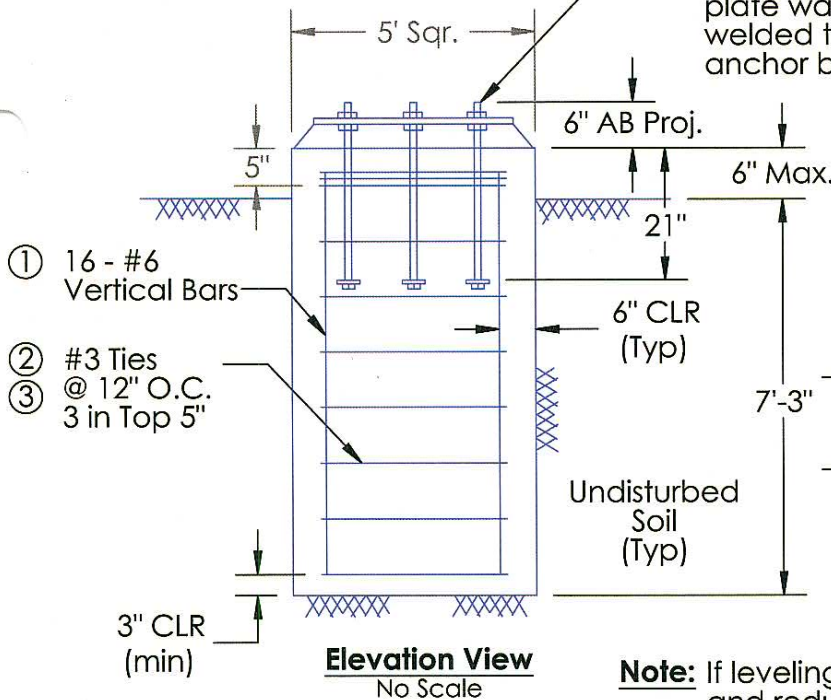
Lateral Bearing Pressure 100 psf/ft  
 (Increases based on depth)

Concrete  $f_c'$  = 2500 psi min. @ 28 days.



**Plan View - Reinforcing**  
No Scale

1 1/8" Ø x 27" ASTM F1554 GD. 55 headed anchor bolt w/SI welding supplement, (3 total), w/21" min. embedment. Use min. of 2" SQ x 5/8" thk ASTM A36 plate washer on top of bottom bolt head, tack welded to bolt. See calcs. for alternate to a headed anchor bolt.



**Grouting Detail**

Extreme care should be taken to assure that all leveling nuts are level with respect to each other prior to installation of tower.

**Note:** If leveling nuts are not used, grout is not required, and reduce AB projection to 4".

Reinforcement Material List							
Sym	Type	Bar Size	Dimensions				Qty
			a	b	c	10db	
①	A	#6	7' - 3" *	---	---	---	16
②	B	#3	4' - 0" *	4' - 0" *	2"	3.75"	10
③	B	#3	2' - 9" *	2' - 9" *	2"	3.75"	10

\* = Nominal dimension

