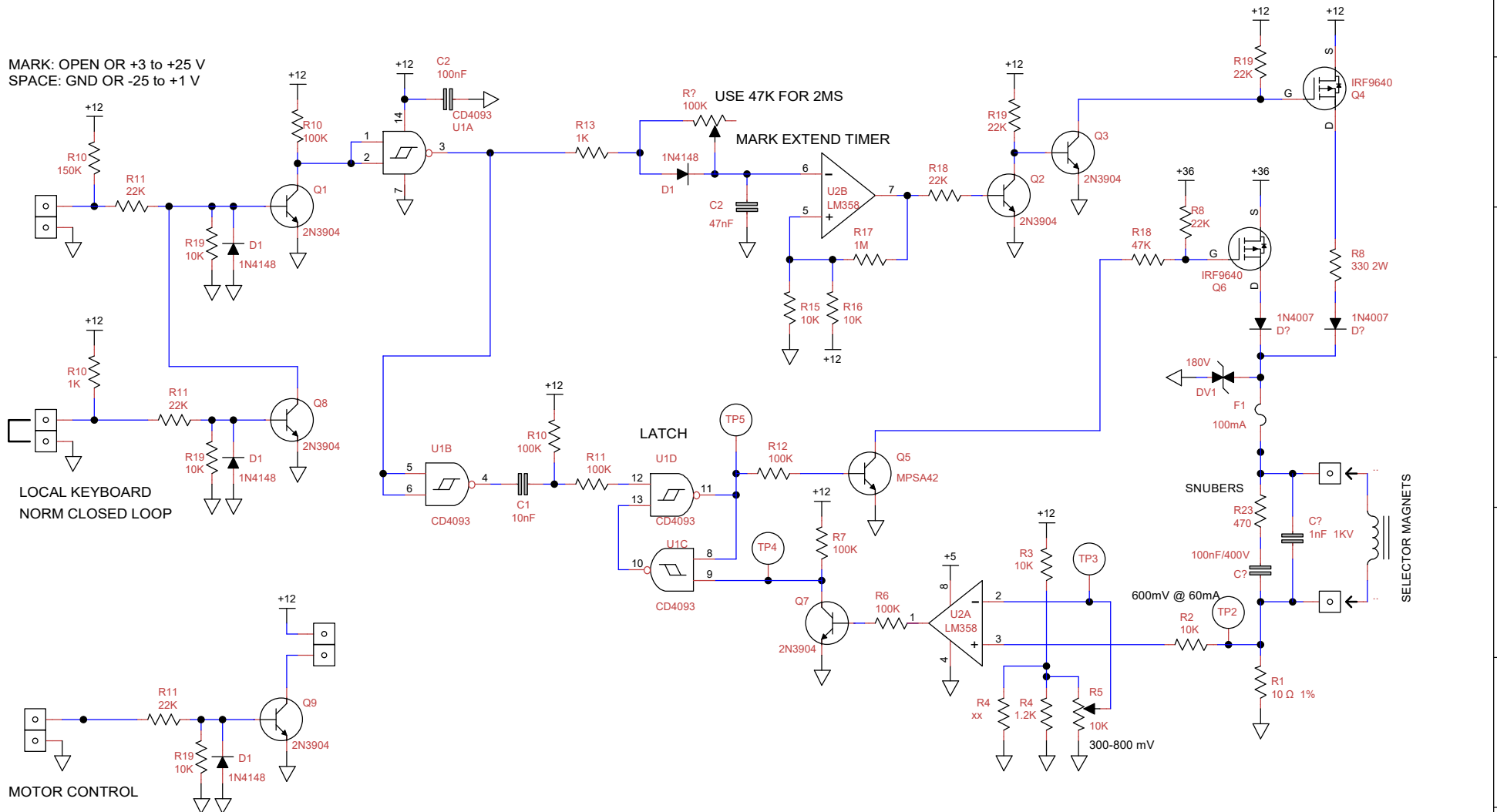


ELECTRONIC SELECTOR MAGNET DRIVER

MARK: OPEN OR +3 to +25 V
SPACE: GND OR -25 to +1 V



LOCAL KEYBOARD
NORM CLOSED LOOP

MOTOR CONTROL

MOTOR ON WHEN +3 to +25 V

USE 47K FOR 2MS
MARK EXTEND TIMER

LATCH

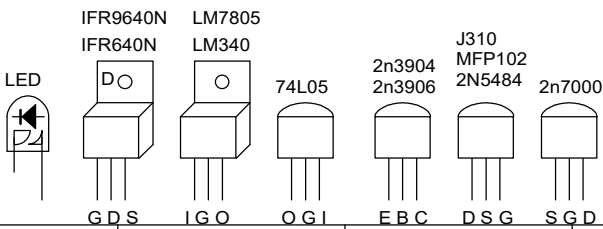
SNUBBERS

SELECTOR MAGNETS

MODEL 28 SELECTOR MAGNETS
TWO 254M MAGS IN PARALLEL
PARALLEL-COMB 66 OHMS - 1.7 HENRY

KEY PARTS RECOMENDATIONS

- 330 OHM 1 W RESISTOR - VISHAY PR01000103300JR500
- SUPPRESSOR 180V ST P6KE180ARL
- 100NF 400V FILM - PANASONIC ECQ-E4104KF
- 1nF 1KV - VISHAY H102K25X7RN63J5R
- FUSE BEL 5ST 100R
- POWER MOSFET - INFINEON IRF9640



| | | |
|---|---------------------|-------------|
| Title TTY LV Selector Magnet Driver | | |
| Author Paul Newland | | |
| File ... TTY Electronic Loop P-Channel 220324-01.dsn | Document | |
| Revision 0.01 | Date 12-DEC-2019 | Sheets 4 |