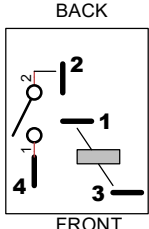
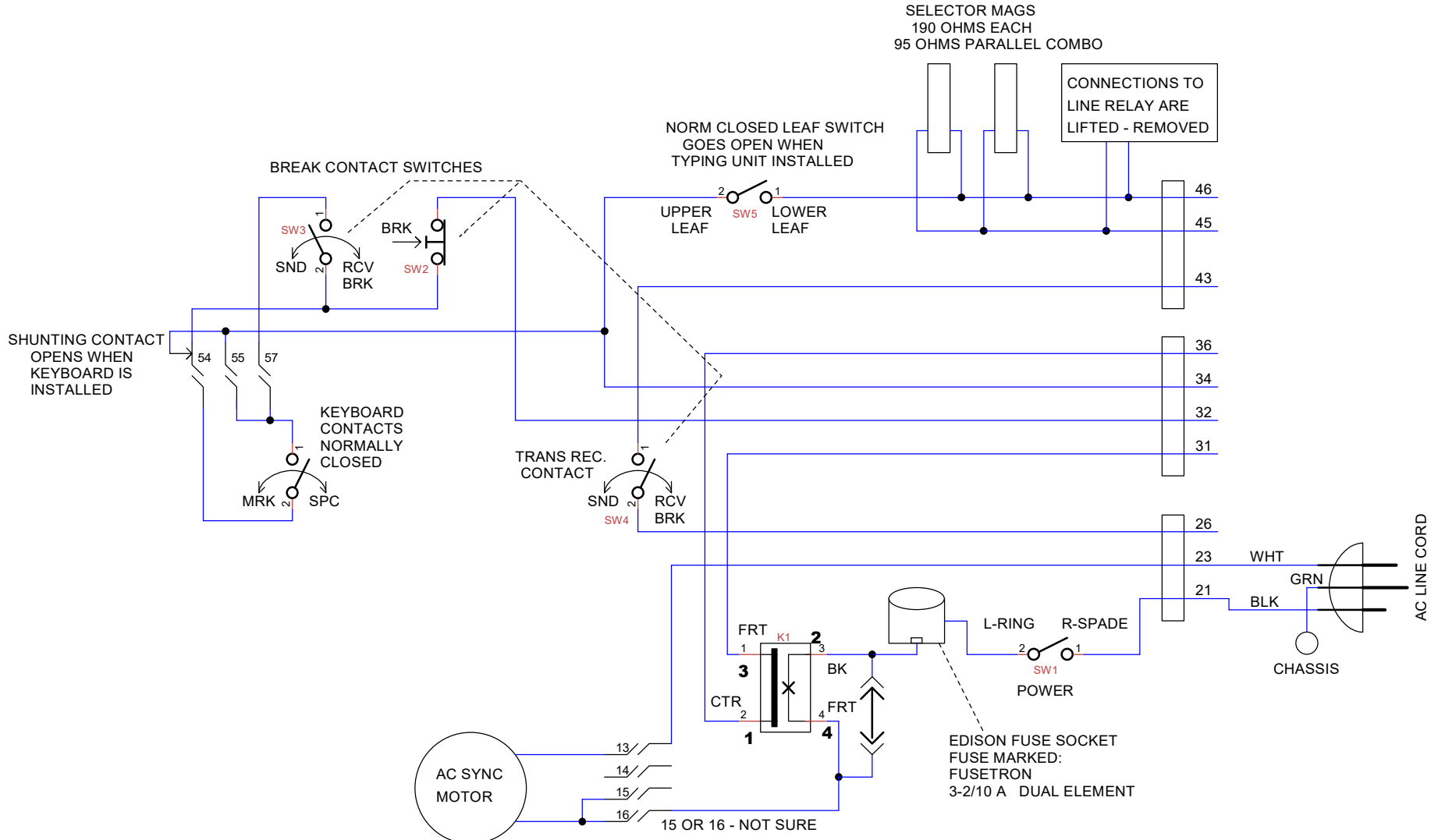


SND-RCV-BRK SWITCH IS A VERTICAL THREE POSITION SWITCH, COMPOSED OF S2, S3, S4
 UP POSITION (SND) IS STABLE RESULTING IN S2-CLOSED, S3-OPEN, S4-CLOSED
 CTR POSITION (RCV) IS STABLE RESULTING IN S2-CLOSED, S3-CLOSED, S4-OPEN
 DNW POSITION (BRK) WHILE PRESSED RESULTS IN S2-OPEN, S3-CLOSED, S4-OPEN
 DWN POSITION (BRK) IS MOMENTARY WITH SPRING RETURN TO CTR (RCV)



PICTORIAL OF
 POWER RELAY
 TP178306
 WHAT ARE
 COIL SPECS?

Title M15 Wiring		
Author Paul Newland		
File p:\Users\p\Docum ... M15-Wiring-201004-03.dsn	Document	
Revision 0.01	Date 04-OCT-2020	Sheets 1 of 1