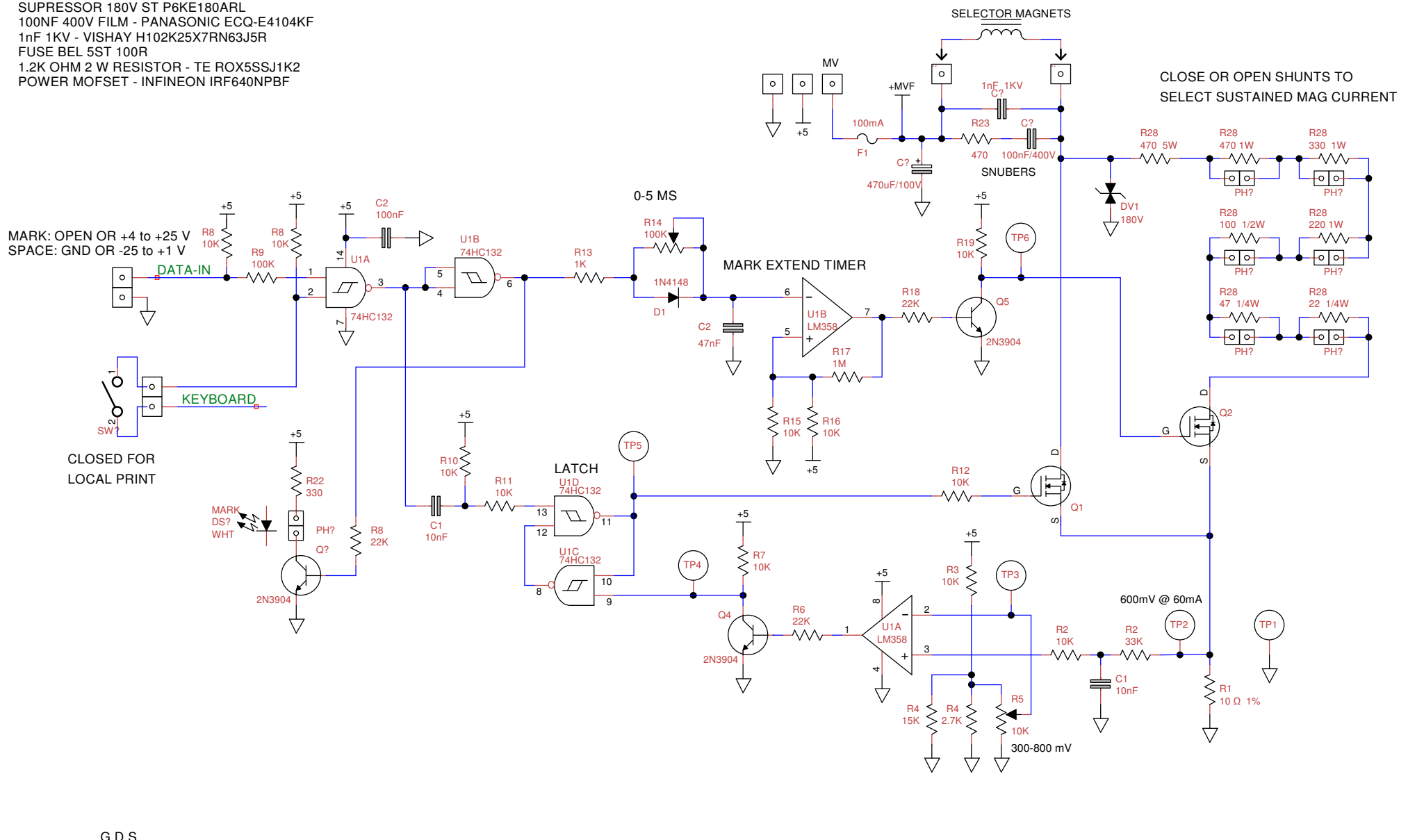


# INTERFACE MODULE

## KEY PARTS RECOMENDATIONS

- 1K OHM 2 W RESISTOR - KOA MO2CT631R102G
- 470 OHM 5 W RESISTOR - TE KOA ROX5SSJ470R
- SUPPRESSOR 180V ST P6KE180ARL
- 100NF 400V FILM - PANASONIC ECQ-E4104KF
- 1nF 1KV - VISHAY H102K25X7RN63J5R
- FUSE BEL 5ST 100R
- 1.2K OHM 2 W RESISTOR - TE ROX5SSJ1K2
- POWER MOFSET - INFINEON IRF640NPBF



MARK: OPEN OR +4 to +25 V  
SPACE: GND OR -25 to +1 V

CLOSED FOR LOCAL PRINT

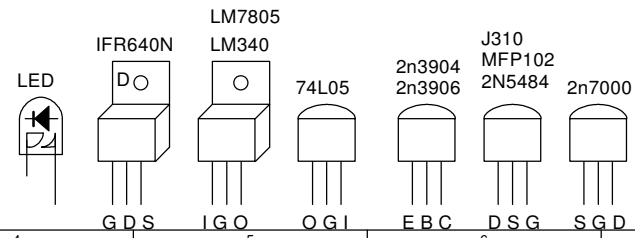
MARK DS? WHT

CLOSE OR OPEN SHUNTS TO SELECT SUSTAINED MAG CURRENT

G D S

Consider Adding 250 Volt Suppressor Across Magnets As Extra/Better SNUBBER

MODEL 28 SELECTOR MAGNETS  
TWO 254M MAGS IN PARALLEL  
PARALLEL-COMB 66 OHMS - 1.7 HENRY



Title TTY LV Selector Magnet Driver		
Author Paul Newland		
File p:\Us ... TTY Loop Supply Build 191219-01.dsn	Document	
Revision 0.01	Date 12-DEC-2019	Sheets 4