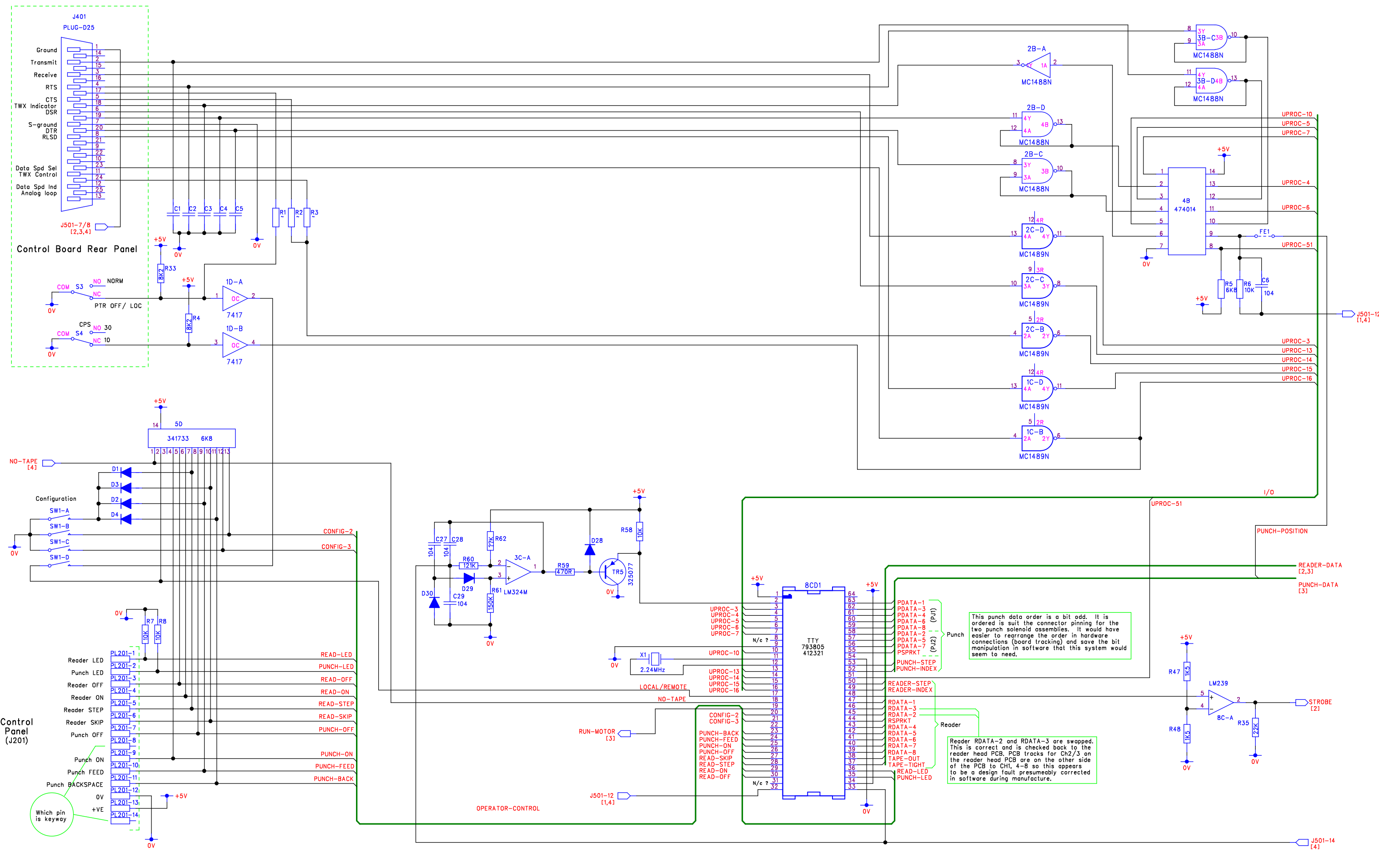


RevNo	Revision note	Date	By	Checked
-	-	-	-	-



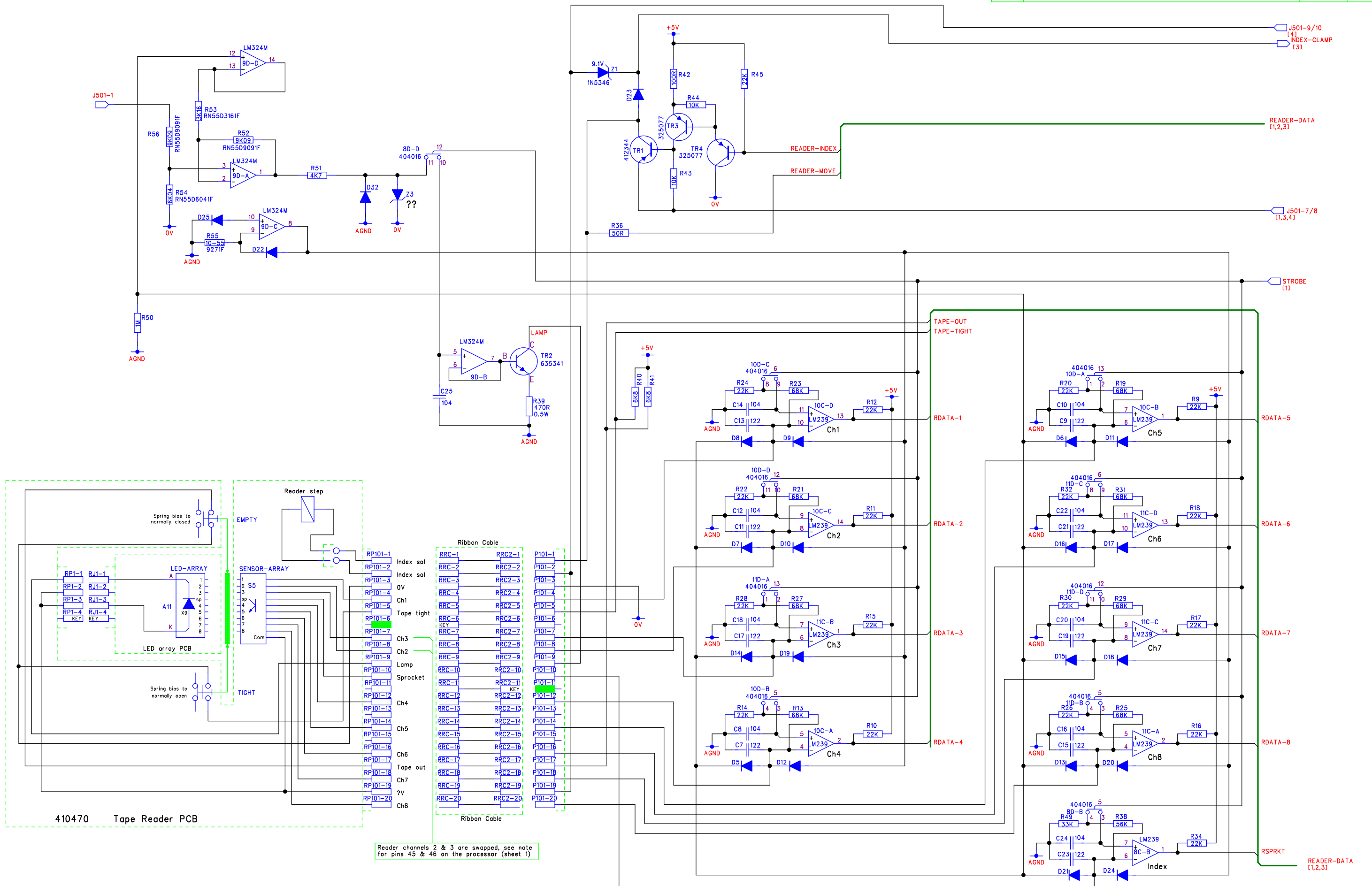
This drawing is reverse engineered out of a Teletype Model 43 tape/reader unit. It is provided without warranty for reference only. Intellectual property rights of the original design remains with the Teletype Corporation and or its current owners.



DM Associates
33, Northbrook Road
Aldershot, Hampshire. GU11 3HE
Email: mike@soemtron.org
www.soemtron.org

Pcb Dwg # =		Scale	Nts	Title	
Drawn	Name	Date	Sheet	Teletype Model 43 Tape Reader	
Checked	MD Hatch	16/12/2015	1	Uproc, I/O, Control	
			Next Sheet	Circuit	
			2	Teletype model 43	
			Drawing Number	A2	Issue A

RevNo	Revision note	Date	By	Checked
-	-	-	-	-



Reader channels 2 & 3 are swapped, see note for pins 45 & 46 on the processor (sheet 1)

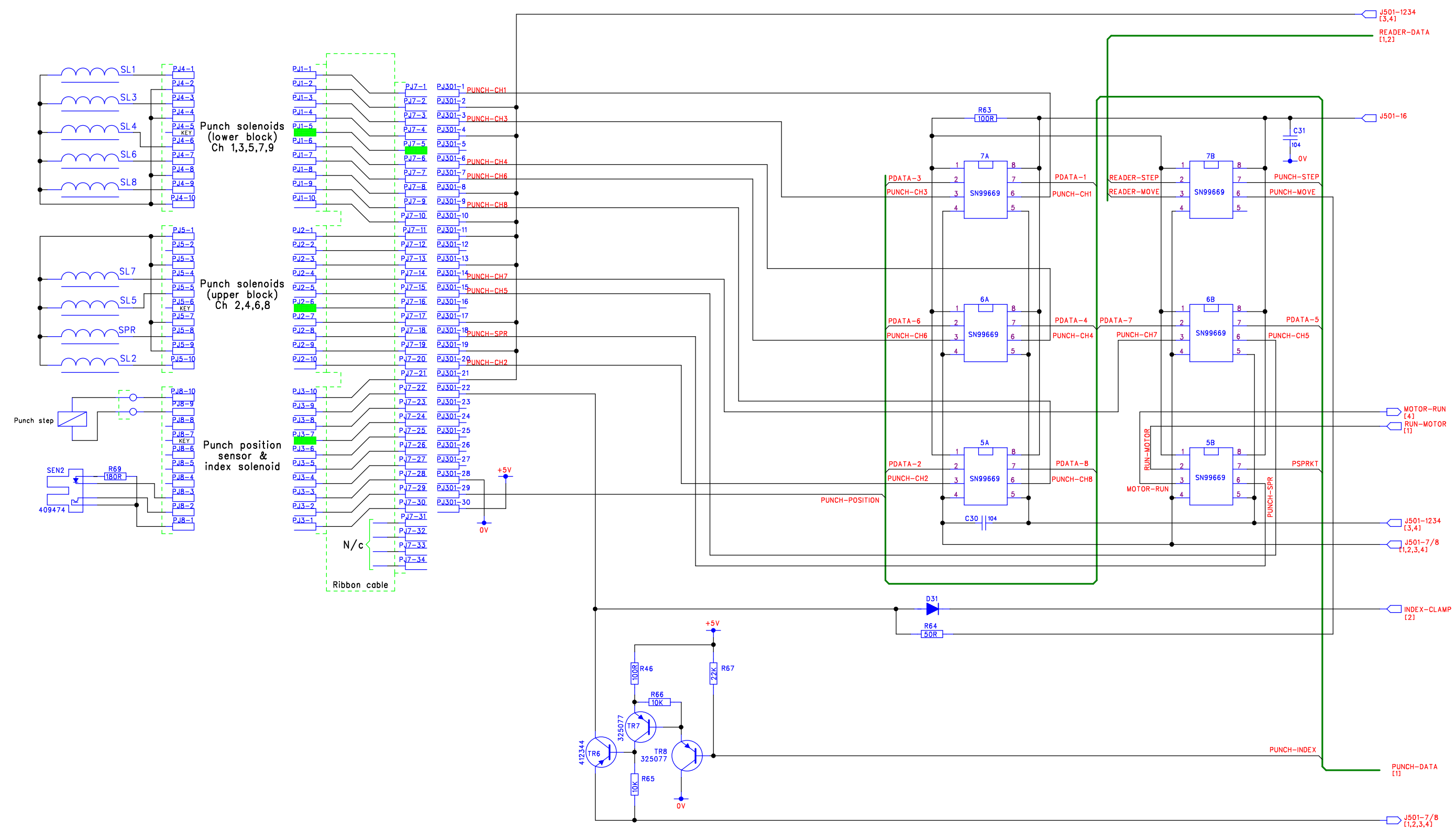
This drawing is reverse engineered out of a Teletype Model 43 tape/reader unit. It is provided without warranty for reference only. Intellectual property rights of the original design remains with the Teletype Corporation and or its current owners.



DM Associates
33, Northbrook Road
Aldershot, Hampshire. GU11 3HE
Email: mike@soemtron.org
www.soemtron.org

Pcb Dwg # =		Scale	Nts	Title	
Drawn	Name	Date	Sheet	Teletype Model 43 Tape Reader	
Checked	MD Hatch	21/12/2015	Next Sheet	#2 - Reader & Control Panel	
			Drawing Number	Circuit	
				Teletype model 43	A2 Issue A

RevNo	Revision note	Date	By	Checked
-	-	-	-	-



This drawing is reverse engineered out of a Teletype Model 43 tape/reader unit. It is provided without warranty for reference only. Intellectual property rights of the original design remains with the Teletype Corporation and or its current owners.



DM Associates
 33, Northbrook Road
 Aldershot, Hampshire. GU11 3HE
 Email: mike@soemtron.org
 www.soemtron.org

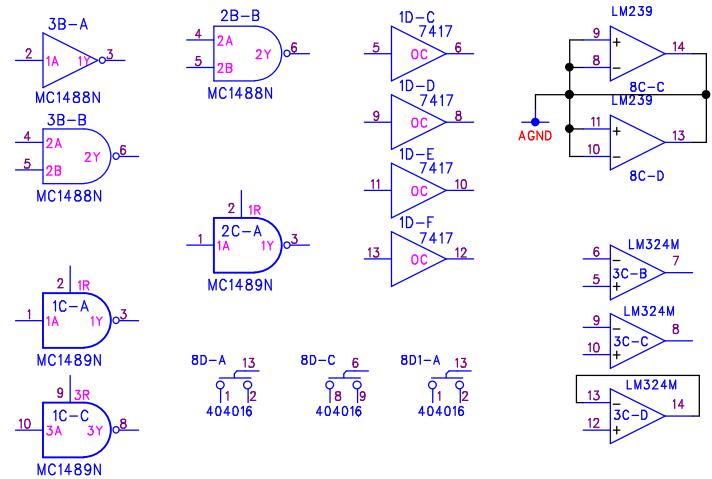
© 2015 Mike Hatch. (www.soemtron.org)

Pcb Dwg # =

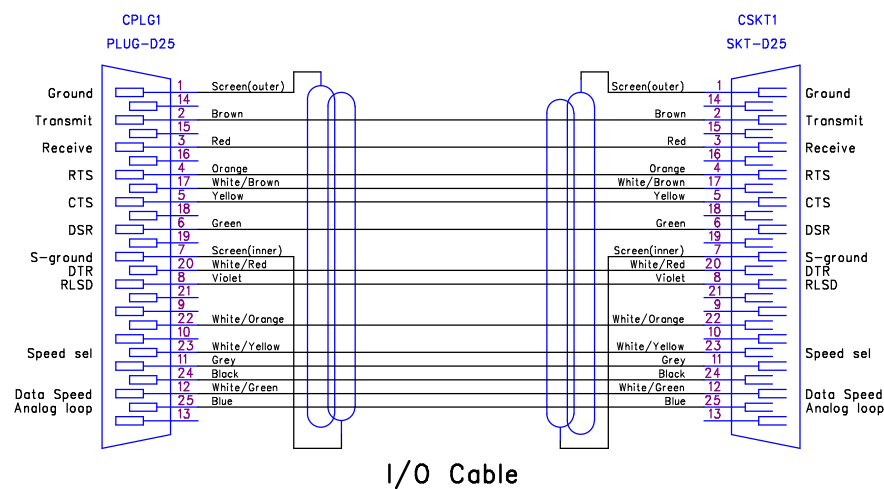
Name	Date
Drawn MD Hatch	22/12/2015
Checked -	-

Scale	Nts
Sheet 3	3
Next Sheet 4	4
Drawing Number	

Title	Teletype model 43
Teletype Model 43 Tape Reader #3 - Punch Circuit	
A2 Issue A	

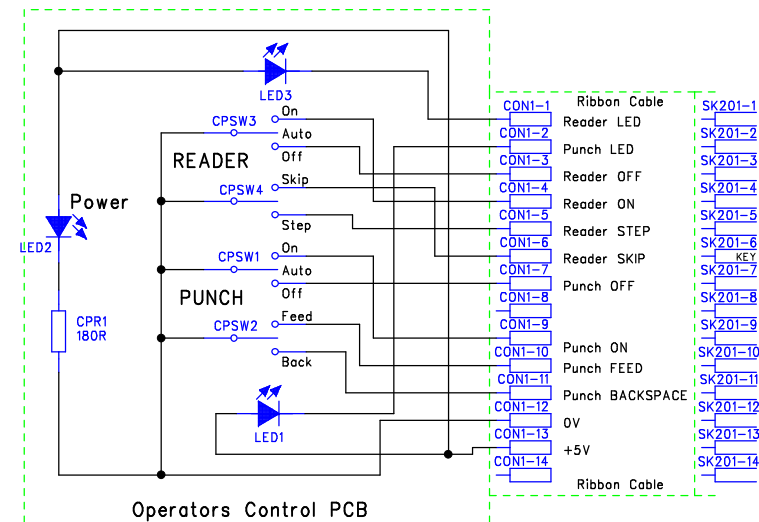


Unused gates



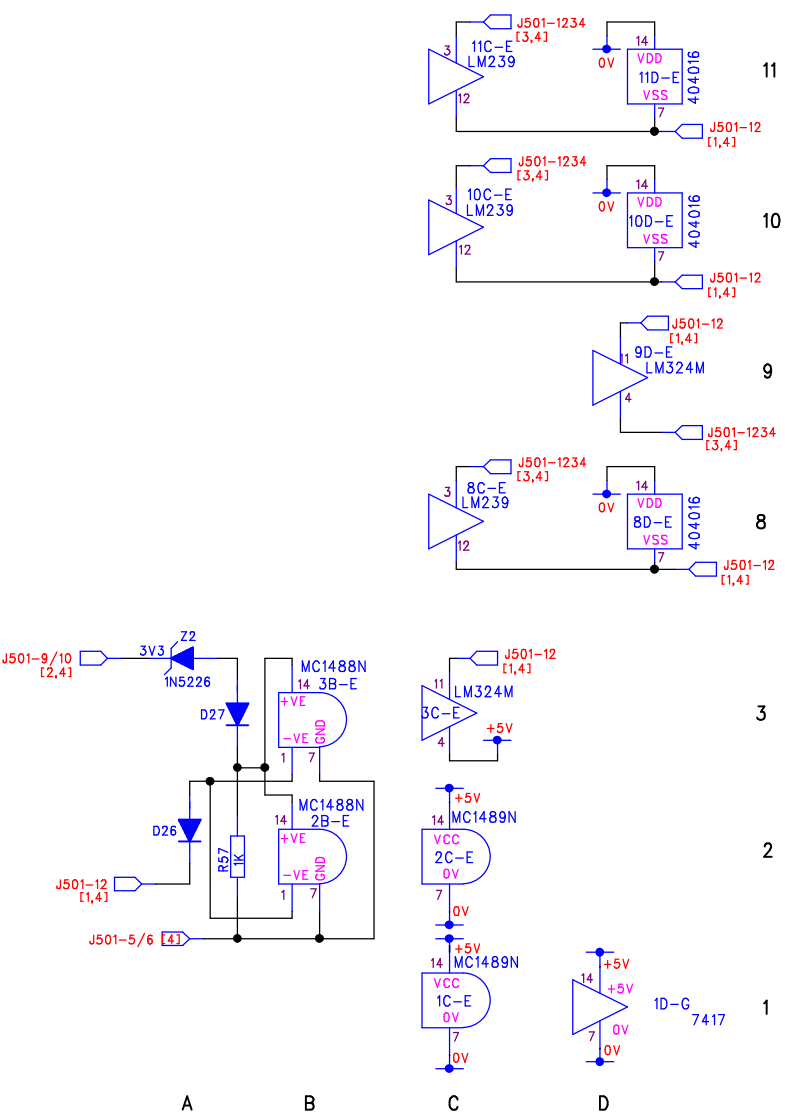
I/O Cable

RevNo	Revision note	Date	By	Checked
-	-	-	-	-

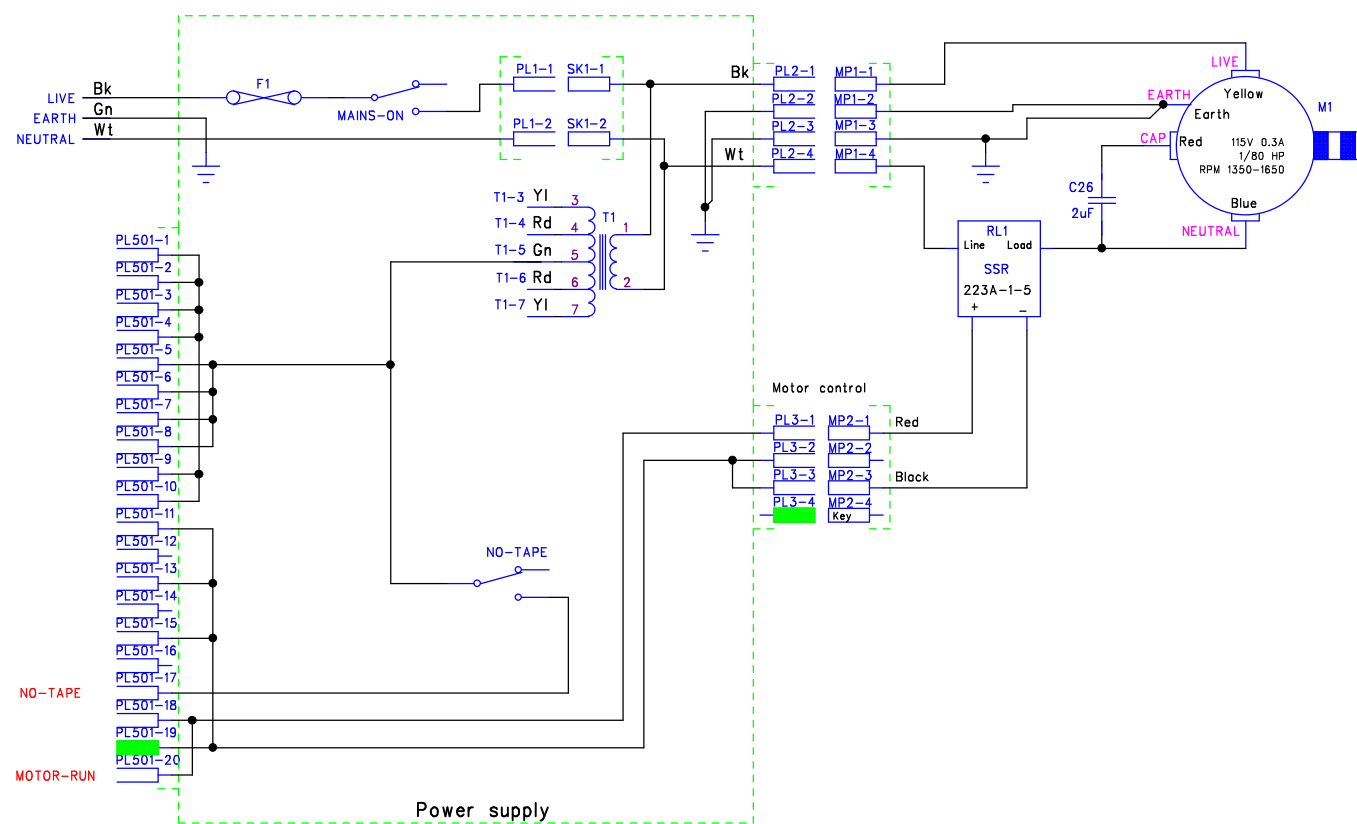
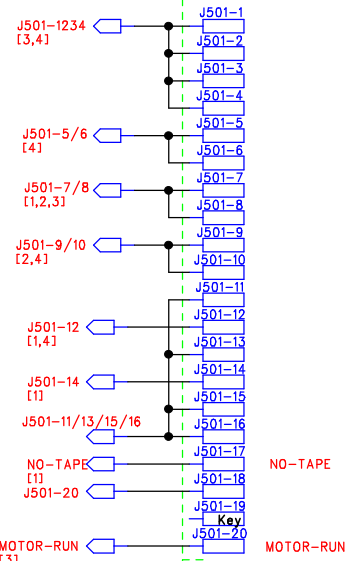


Operators Control PCB

Supply pins



Main PCB
409711
TTY 2B



Power supply

This drawing is reverse engineered out of a Teletype Model 43 tape/reader unit. It is provided without warranty for reference only. Intellectual property rights of the original design remains with the Teletype Corporation and or its current owners.



© 2015 Mike Hatch. (www.soemtron.org)

DM Associates
33, Northbrook Road
Aldershot, Hampshire. GU11 3HE
Email: mike@soemtron.org
www.soemtron.org

Pcb Dwg # =

Name	Date	Scale	Nts
MD Hatch	23/12/2015	Sheet 4	4
-	-	Next Sheet	-
-	-	Drawing Number	-

Title
Teletype Model 43 Tape Reader
#4 - Misc and PSU
Circuit

Teletype model 43 A2 Issue A