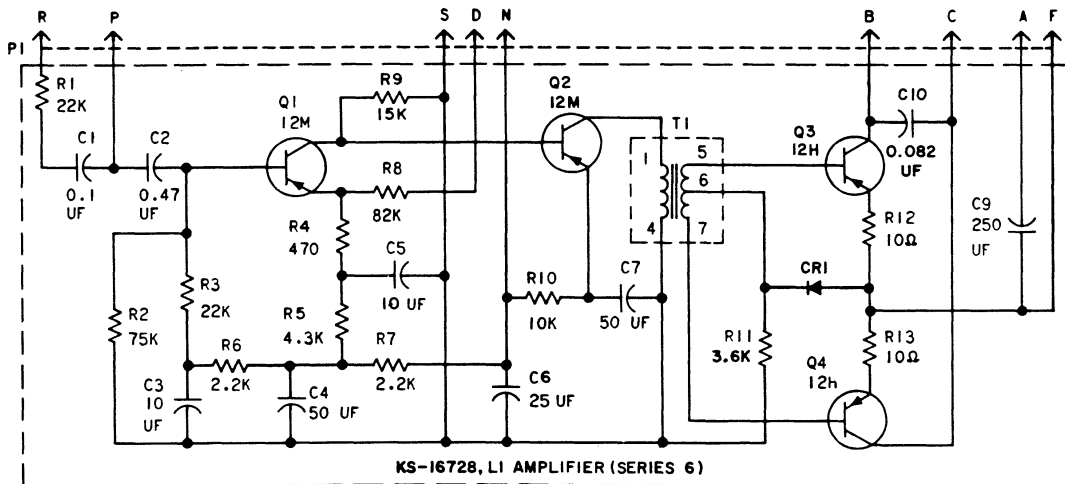
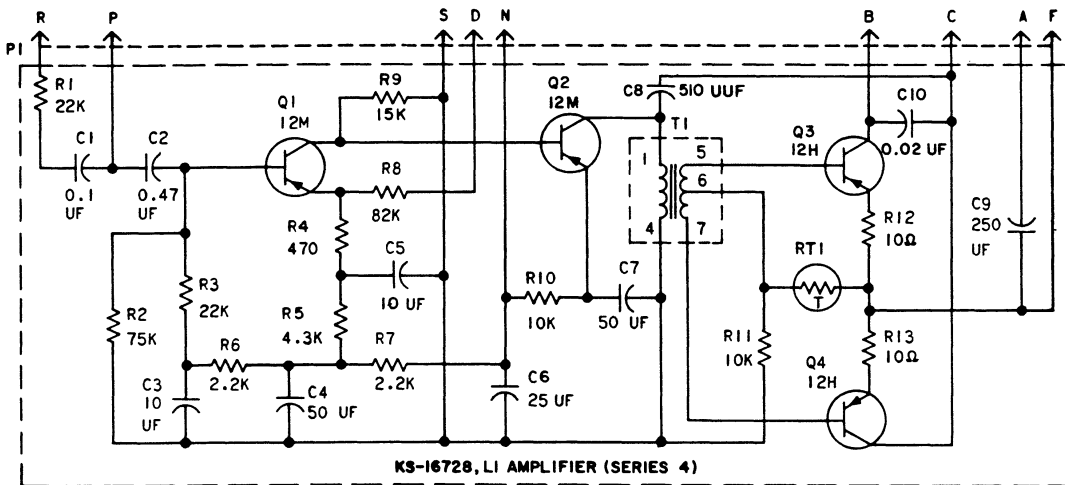


THE KS-16728, LIST 1 AMPLIFIER WAS MANUFACTURED IN SERIES 1 THROUGH 6. SCHEMATICS OF SERIES 4 AND 6, WHICH ARE FOUND IN MOST 106A, B, AND C LOUDSPEAKER SETS, ARE SHOWN BELOW.



NOTE:
 WHEN REPLACING A SERIES 4 AMPLIFIER WITH EITHER A SERIES 5 OR A SERIES 6, MAKE THE FOLLOWING CHANGES TO THE LOUDSPEAKER SET CIRCUIT (SEE FIG. 10 AND 11):

1. REMOVE CAPACITORS C4 AND C5.
2. REMOVE RESISTOR R16 (106A OR B) OR R18 (106C).
3. CHANGE RESISTOR R10 FROM 4700 OHMS TO 6200 OHMS.

Fig. 12—Schematics—KS-16728 List 1 Plug-In Amplifier, Series 4 and 6