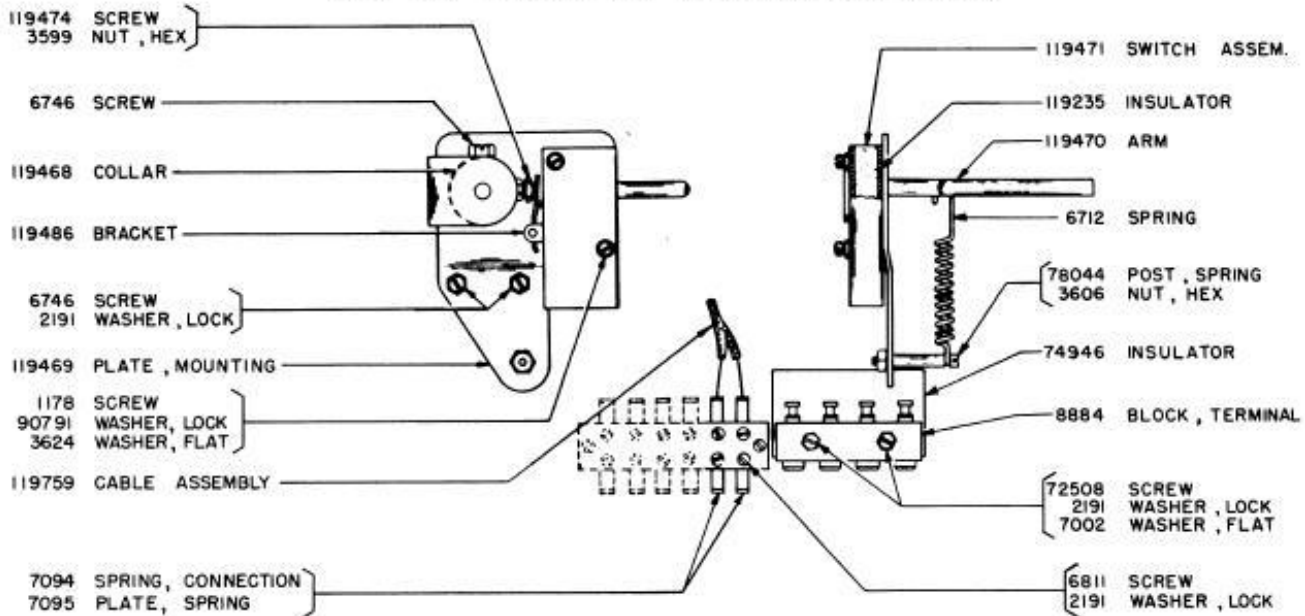
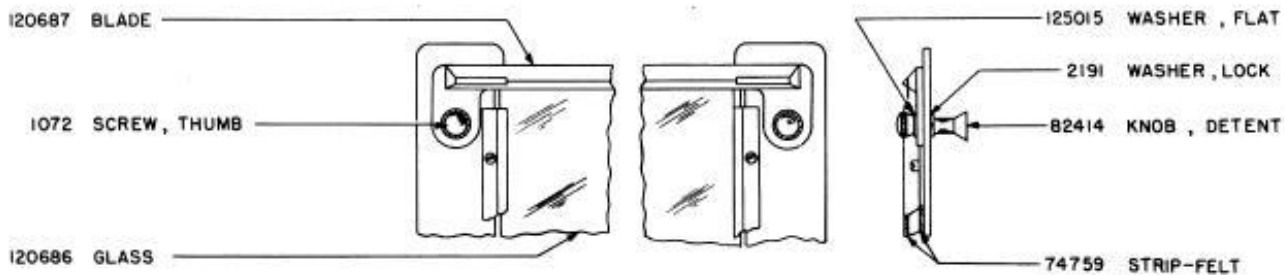


94616 SET OF PARTS FOR INSTRUCTION CARD HOLDER



119975 SET OF PARTS FOR PAPER-OUT DEVICE



120685 SET OF PARTS TO PROVIDE TEARING EDGE WITH COVER GLASS