

UNLESS OTHERWISE SPECIFIED:  
DIMENSIONS ARE IN MILLIMETERS  
SURFACE FINISH:  
TOLERANCES:  
LINEAR:  
ANGULAR:

FINISH:

N/A

DEBUR AND  
BREAK SHARP  
EDGES

DO NOT SCALE DRAWING

REVISION

A

All Units in millimeters (mm)

	NAME	SIGNATURE	DATE		
DRAWN					
CHK'D					
APPV'D					
MFG					
Q.A					
				MATERIAL:	
				Stainless Steel (Ferritic)	
				MASS: 8.78g	

TITLE:

LF upstop

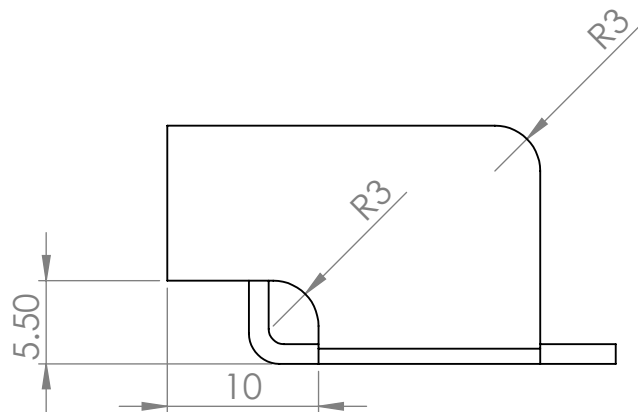
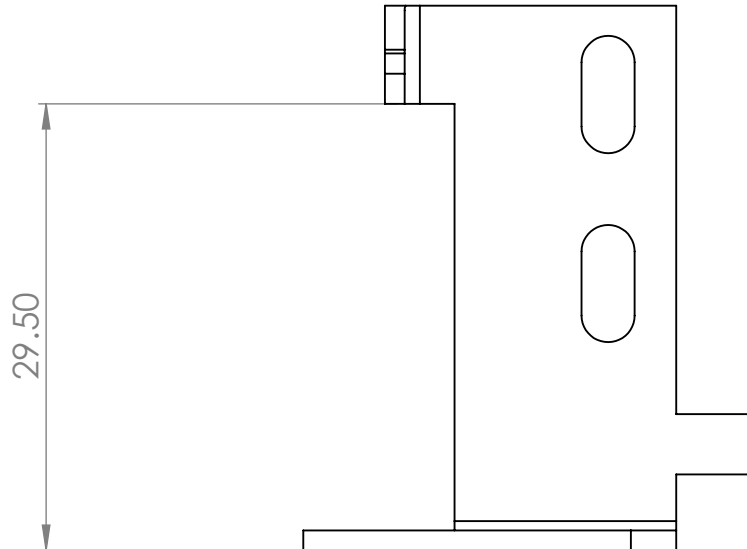
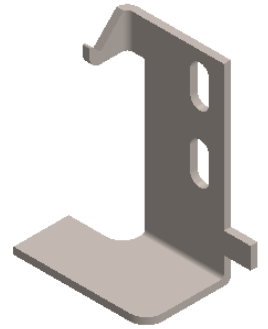
DWG NO.

46943

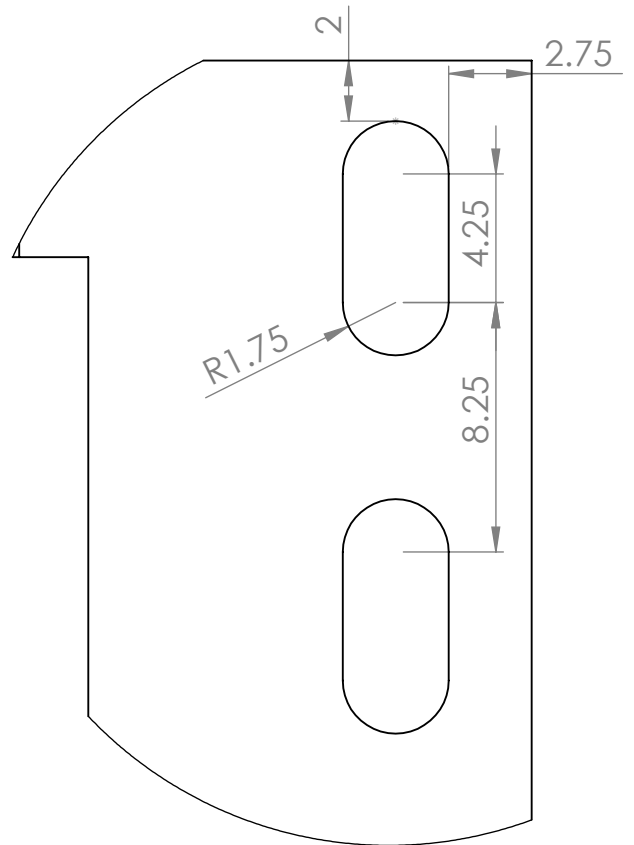
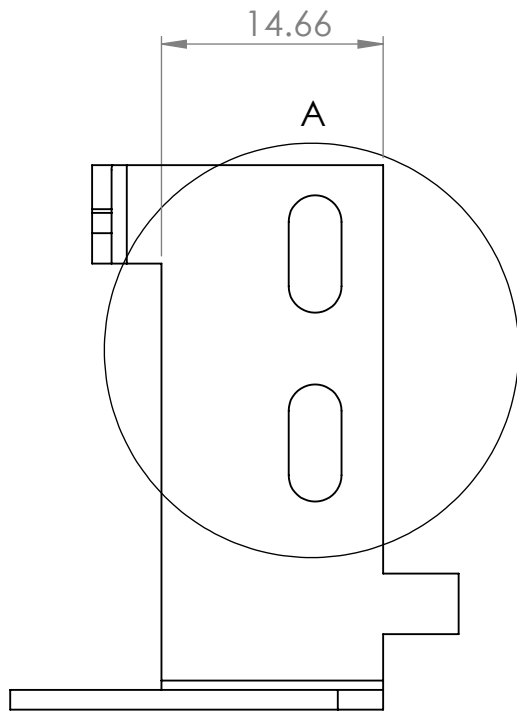
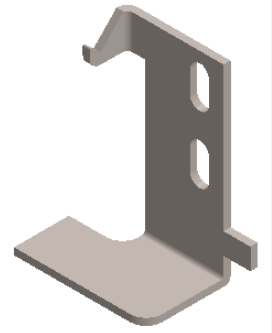
A4

SCALE:2:1

SHEET 1 OF 4



UNLESS OTHERWISE SPECIFIED: DIMENSIONS ARE IN MILLIMETERS SURFACE FINISH: TOLERANCES: LINEAR: ANGULAR:		FINISH:  N/A		DEBUR AND BREAK SHARP EDGES		DO NOT SCALE DRAWING		REVISION A	
						<b>All Units in millimeters (mm)</b>			
DRAWN		SIGNATURE		DATE		TITLE:  <b>LF upstop</b>			
CHK'D						DWG NO.		<b>46943 LF Upstop</b>	
APPV'D						A4			
MFG						MATERIAL: Stainless Steel (Ferritic)			
Q.A						WEIGHT:		SCALE:2:1	
								SHEET 2 OF 4	



DETAIL A  
SCALE 4 : 1

UNLESS OTHERWISE SPECIFIED:  
DIMENSIONS ARE IN MILLIMETERS  
SURFACE FINISH:  
TOLERANCES:  
LINEAR:  
ANGULAR:

FINISH:

N/A

DEBUR AND  
BREAK SHARP  
EDGES

DO NOT SCALE DRAWING

REVISION

A

All Units in millimeters (mm)

	NAME	SIGNATURE	DATE		
DRAWN					
CHK'D					
APPV'D					
MFG					
Q.A					
				MATERIAL:	
				Stainless Steel (Ferritic)	
				WEIGHT:	

TITLE:

LF upstop

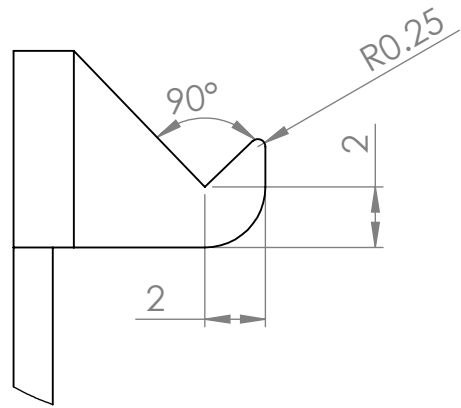
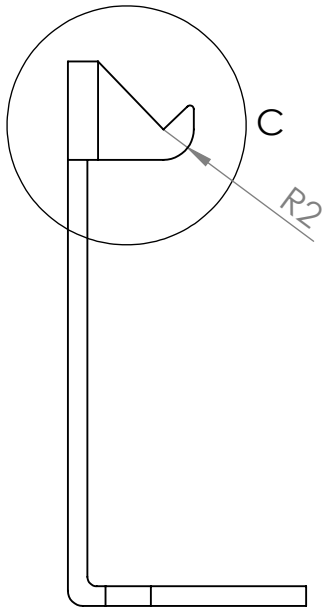
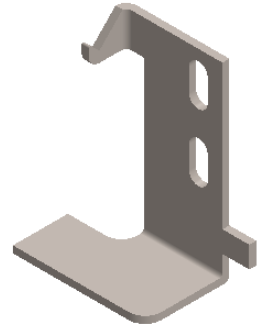
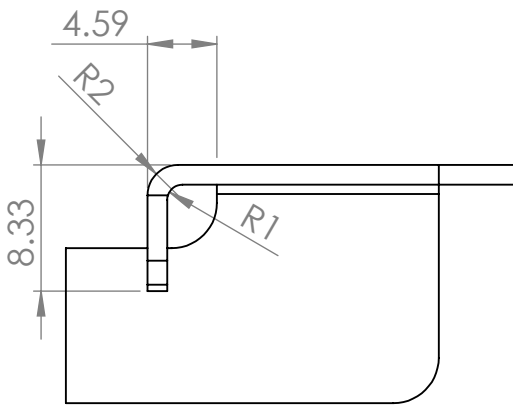
DWG NO.

46943 LF Upstop

A4

SCALE:2:1

SHEET 3 OF 4



DETAIL C  
SCALE 4 : 1

UNLESS OTHERWISE SPECIFIED: DIMENSIONS ARE IN MILLIMETERS SURFACE FINISH: TOLERANCES: LINEAR: ANGULAR:				FINISH:  N/A		DEBUR AND BREAK SHARP EDGES		DO NOT SCALE DRAWING		REVISION A	
<b>All Units in millimeters (mm)</b>											
DRAWN				SIGNATURE				TITLE:  <b>LF upstop</b>			
CHK'D				DATE				DWG NO. <b>46943 LF Upstop</b>			
APPV'D				MATERIAL: Stainless Steel (Ferritic)				A4			
MFG				WEIGHT:				SCALE:2:1			
Q.A.								SHEET 4 OF 4			